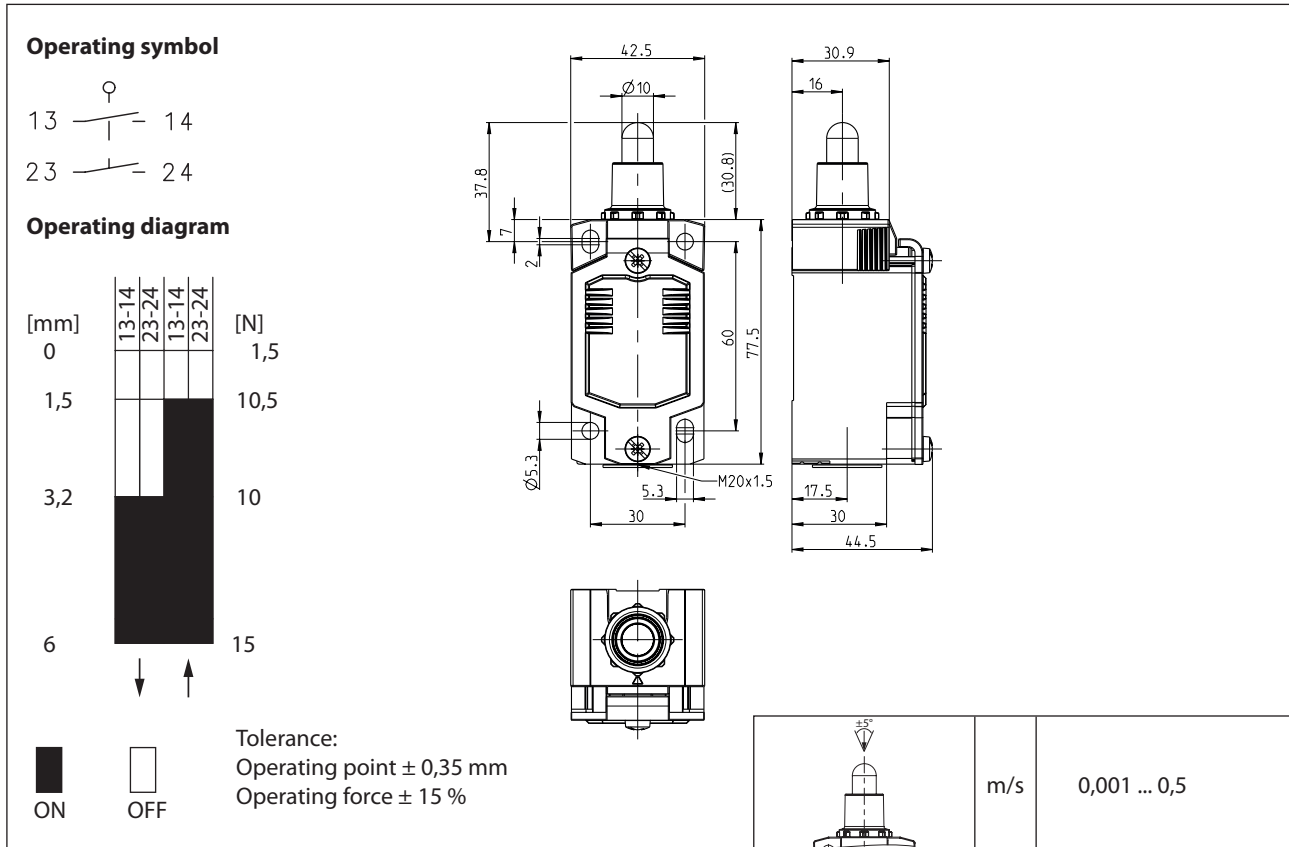


# Metal bodied limit switch

## Series MN78

Description **MN78-S02 SM**

Article number **6087000005**



| Electrical Data                         |           |   |
|---|-----------|---|
| Rated insulation voltage                | $U_i$     | 400 V   |
| Rated impulse withstand voltage         | $U_{imp}$ | 4 kV  |
| Rated operational voltage               | $U_e$     | 240 V AC / 24 V DC  |
| Rated supply frequency AC               |           | 50 / 60 Hz  |
| Overvoltage category                    |           | II acc. EN 60947-1 annex H table H1                         |
| Conv. thermal current                   | $I_{the}$ | 5 A   |
| Minimum current                         |           | 1 mA  |
| Utilization category                    |           | AC 15, $U_e/I_e$ 240 V / 3 A; DC 13, $U_e/I_e$ 24 V / 1,5 A |
| Short-circuit protective device         |           | Fuse 4 A gG   |
| Rated conditional short-circuit current |           | 400 A   |
| Protection class                        |           | I   |

| Mechanical data                    |   |
|------------------------------------|---|
| Enclosure                          | Die-cast aluminium  |
| Cover                              | Sheet aluminium   |
| Actuator                           | Plunger (Steel, nickel)   |
| Operating temperature              | -30 °C ... +75 °C   |
| Storage temperature                | -40 °C ... +80 °C   |
| Protection type                    | IP66 / IP67 acc. EN 60529, Type 4X  |
| Pollution degree (built-in switch) | 3   |
| Contact material                   | silver  |
| Device Class (built-in switch)     | Category E (MC3+CC2+SC1) acc. EN 60947-1 annex Q  |
| Contact type                       | 2 N.O.  |
| Bounce duration                    | ms < 3 ms   |
| Switchover time                    | ms < 8 ms   |
| Switching frequency                | ≤ 60 / min.   |
| Mechanical life                    | 10 x 10 <sup>6</sup> operating cycles   |
| Mission time                       | ≤20 years   |
| Connection                         | 4 screw connections (M3)  |
| Earth bolt                         | 1 x M3,5  |
| Conductor cross-sections           | Solid or Litz wire with ferrules 0,34 mm <sup>2</sup> - 1,5 mm <sup>2</sup> ; AWG 22-16 |
| Cable entrance                     | 1 x M20 x1,5  |
| Weight                             | ≈ 0,22 kg   |
| Installation position              | operator definable  |

| Actuation  |
|--|
| The push bolt actuator is mainly intended to be actuated along its axis. |

| Standards                |
|--------------------------|
| DIN EN 60947-5-1         |
| UL 508 / CSA C22.2 No.14 |

| EU Conformity  |
|--|
| acc. to directive 2014/35/EU (Low-Voltage-Directive) |

| Approvals         |
|-------------------|
| CCC               |
| cUL <sub>US</sub> |

| Notes  |
|--|
| The degree of protection (IP code) specified applies solely to a property closed cover and the use of an equivalent cable gland with adequate cable. |